

DUCT TEMPERATURE & HUMIDITY TRANSMITTER



STHD

STHD2215, STHD2216, STHD2217, STHD2218
STHD2225, STHD2226, STHD2227, STHD2228

Application

“STHD” Duct Temperature & Humidity Transmitter is intended for ventilation and air-handling units to detect duct temperature and relative humidity.

Especially, this unit is very suitable for using in pulp/textile/food warehouse, greenhouse, computer room, R&D room, indoor swimming pool, hospital, etc.

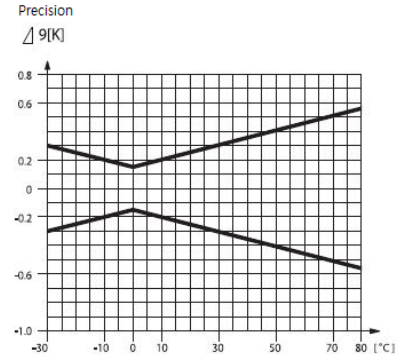
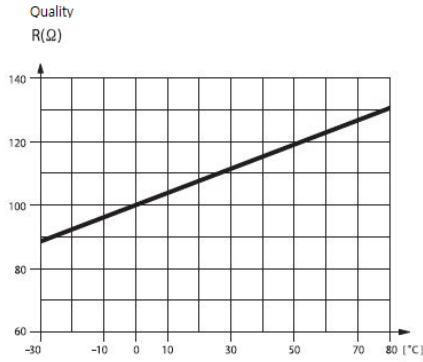
Technical Data

| MODEL | OUTPUT SIGNAL | MEASURING RANGE | ACCURACY(at 23°C) |
|----------|---------------------|------------------------|--|
| STHD2215 | Pt100Ω / 4~20mA | -30~+130°C / 0~+100%RH | ±0.15°C(at 0°C) / ±1.8%RH(at 0~80% RH) |
| STHD2225 | Pt1000Ω / 4~20mA | -30~+130°C / 0~+100%RH | ±0.3°C(at 0°C) / ±1.8%RH(at 0~80% RH) |
| STHD2216 | Pt100Ω / 0 - 10VDC | -30~+130°C / 0~+100%RH | ±0.15°C(at 0°C) / ±1.8%RH(at 0~80% RH) |
| STHD2226 | Pt1000Ω / 0 - 10VDC | -30~+130°C / 0~+100%RH | ±0.3°C(at 0°C) / ±1.8%RH(at 0~80% RH) |
| STHD2217 | Pt100Ω / 0 - 5VDC | -30~+130°C / 0~+100%RH | ±0.15°C(at 0°C) / ±1.8%RH(at 0~80% RH) |
| STHD2227 | Pt1000Ω / 0 - 5VDC | -30~+130°C / 0~+100%RH | ±0.3°C(at 0°C) / ±1.8%RH(at 0~80% RH) |
| STHD2218 | Pt100Ω / 0 - 1VDC | -30~+130°C / 0~+100%RH | ±0.15°C(at 0°C) / ±1.8%RH(at 0~80% RH) |
| STHD2228 | Pt1000Ω / 0 - 1VDC | -30~+130°C / 0~+100%RH | ±0.3°C(at 0°C) / ±1.8%RH(at 0~80% RH) |

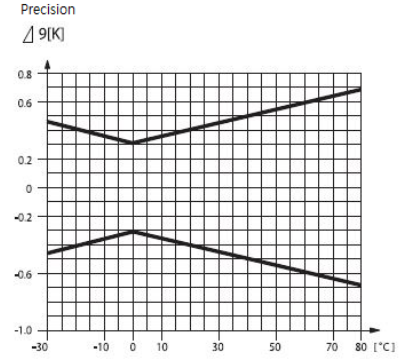
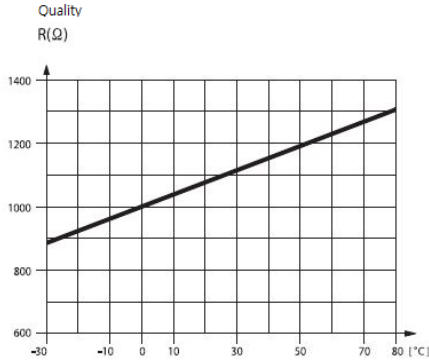
- SUPPLY VOLTAGE : 15~30VDC or 24VAC±20% / (2-wire) 15~30VDC
- POWER CONSUMPTION : DC/8mA, AC/20mA typical
- SENSING RANGE : -30~+130°C / 0~100%RH
- HUMIDITY ELEMENT : Capacitiv Polymer
- ACCURACY : 23°C at 0~80%RH within ±1.8%RH
- OUTPUT SIGNAL : Pt1000Ω(Pt100Ω) / 4~20mA DC
- SENSING TIME : Temp/30sec. Humidity:10sec (at 0.15m/sec velocity)
- AMBIENT TEMPERATURE : On Operation: -10~+80°C
- AMBIENT HUMIDITY : On Operation : 0~95%RH
- PROTECTION CLASS : IP 65 to EN60529
- HOUSING MATERIAL : PC
- WEIGHT : 165g(W/BRACKET)

Accuracy

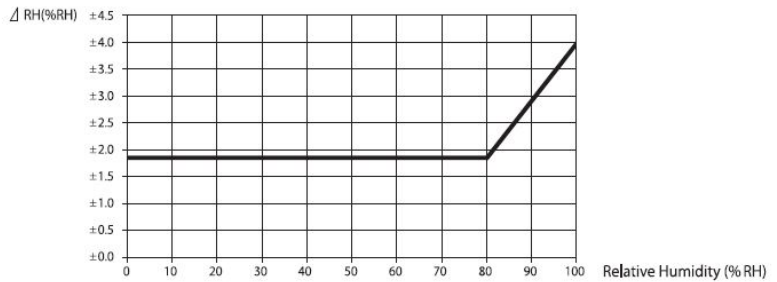
▶ Pt100Ω
(Class A)



▶ Pt1000Ω
(Class B)



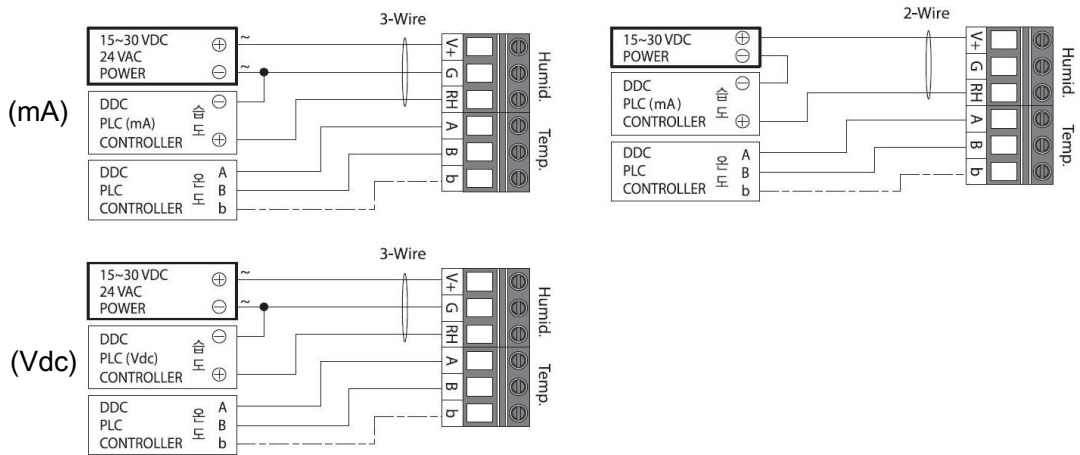
▶ Relative Humidity Accuracy
(±1.8%RH)



Mounting Guide

- Mounting positions :
 - ▶ At the detector has to be mounted on supply duct, the detector must be kept between 3 to 8 meters from the humidifier unit.
- For accurate measurement of the temperature, follow recommendation as :
 - ▶ Steam humidifier : between 5 to 8 meters.
 - ▶ Spray water fogger: between 3 to 10 meters air duct supply.

Wiring Diagram



Shape Dimension

