

OUTSIDE AIR TEMPERATURE & HUMIDITY TRANSMITTER



STHO

STHO2235, STHO2245, STHO2236, STHO2246

Application

"STHO" Outside Air Temperature & Humidity Transmitter is intended for controlling sensor by detecting relative humidity and temperature of outside air for ventilation and air-handling units.

This unit can also be used as an interface detector used with display of sensing value or auto control system of building.

- Pulp/textile/food warehouse, greenhouse, computer room, R&D room, hospital etc.
- Use measuring detector: In case of optimistic function system.

Technical Data

MODEL	OUTPUT SIGNAL	MEASURING RANGE	ACCURACY(at 23°C)
STHO2235	NTC3KΩ / 4~20mA	-35~+80°C / 0~+100%RH	±0.2°C(at 25°C) / ±1.8%RH(at 0~80% RH)
STHO2245	NTC10KΩ / 4~20mA	-35~+80°C / 0~+100%RH	±0.2°C(at 25°C) / ±1.8%RH(at 0~80% RH)
STHO2236	NTC3KΩ / 0~10VDC	-35~+80°C / 0~+100%RH	±0.2°C(at 25°C) / ±1.8%RH(at 0~80% RH)
STHO2246	NTC10KΩ / 0~10VDC	-35~+80°C / 0~+100%RH	±0.2°C(at 25°C) / ±1.8%RH(at 0~80% RH)

- SUPPLY VOLTAGE : 15~30VDC or 24VAC±20% / (2-wire) 15~30VDC
- POWER CONSUMPTION : DC/8mA, AC/20mA typical
- SENSING ELEMENT : NTC / Capacitiv Polymer
- ACCURACY : at 25°C Within ±0.2°C, at 0~80%RH within ±1.8%RH
- WIRING : 4Wire
- OUTPUT SIGNAL : Temperature / NTC 3KΩ, NTC 10KΩ, Humidity / 4~20mA, 0~10VDC
- SENSING TIME : Temp/3min.Humidity/10sec (at 0.15m/sec velocity)
- AMBIENT TEMPERATURE : 1) On Operation: -25~+80°C (Probe: -35~+80°C)
2) On Transportation & Storage: -10~+65°C
- AMBIENT HUMIDITY : 1) On Operation : below 5~95%RH
2) On Transportation & Storage : below 95%RH
- PROTECTION CLASS : IP65 to EN60529
- CABLE FITTING : PF 1/2"
- WEIGHT : 155g

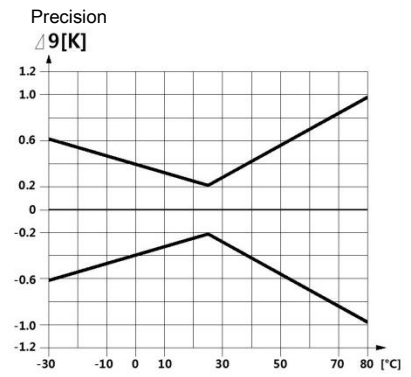
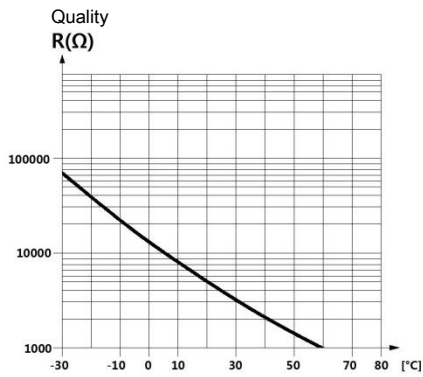
Notes

► Engineering :

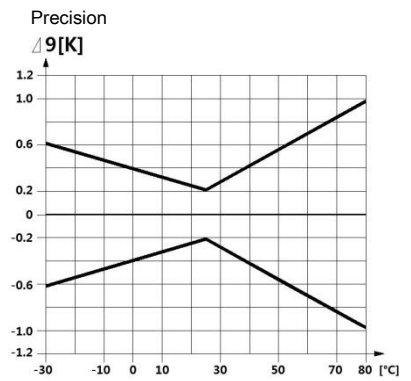
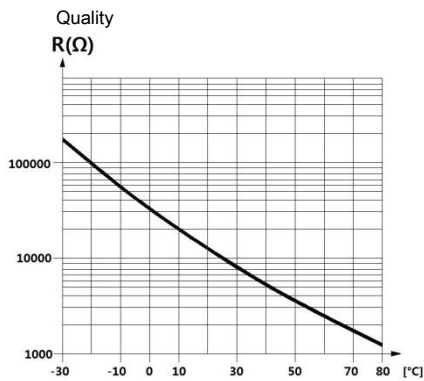
In case of control: Preferably install on the wall of building or house and keep away from direct light.

Accuracy

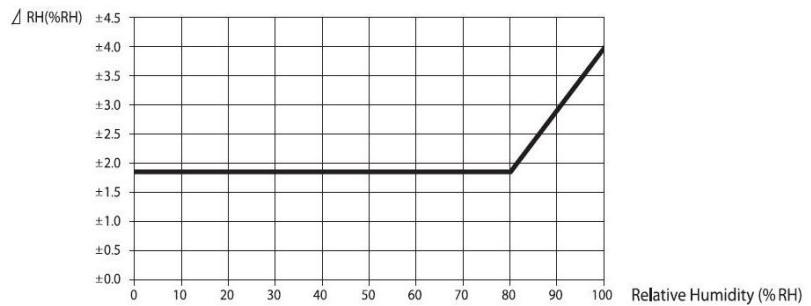
► NTC 3K Ω



► NTC 10K Ω (II)



► Relative Humidity Accuracy (± 1.8 RH)

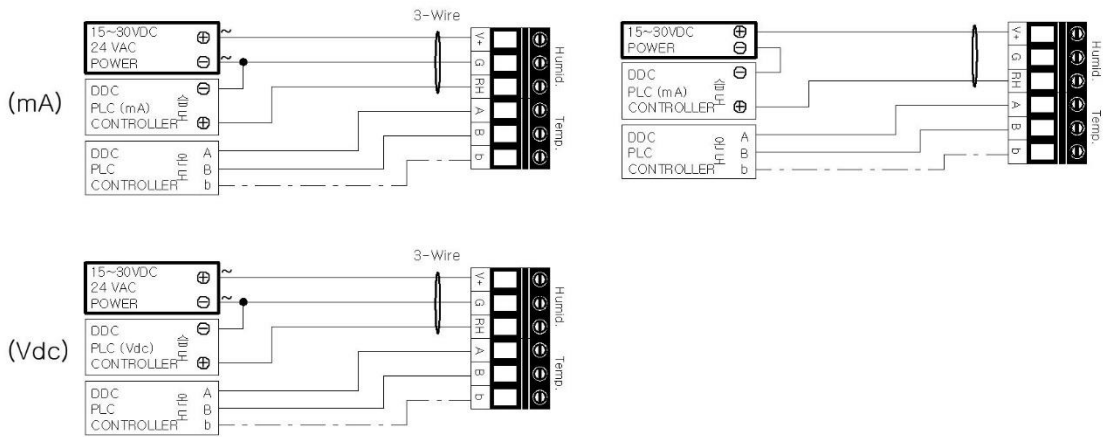


OUTSIDE AIR TEMPERATURE & HUMIDITY TRANSMITTER

Mounting Guide

- 1) Installation height: Preferably install in the middle of house, building or heating area, and to be installed at least 1.5 meter above from the floor.
- 2) Prohibited Location: Window, door, ventilating hole, upper place of heat source, and veranda or beneath the eaves of roof.
- 3) To prevent any deeding errors from convection of warm, air, cable wire tube of transmitter should be shielded and must not be painted.

Wiring Diagram



Shape Dimension

