

# AVERAGE TEMPERATURE SENSOR



## STTA

STTA221, STTA222

### Application

"STTA" average temperature sensor is intended for installing on ventilation and air-handling units will be used on following usages. Units contain either a high quality platinum sensing element suitable for use in the range -20 ~ +80°C.

- Sensing the duct temperature of supplying or ventilating air and mixed air average temperature.
- Measuring sensor ( in case of displaying sensing point or using by connecting with control unit or converter )

### Technical Data

MODEL	ELEMENT	RANGE	ACCURACY	WIRE	Max. Current
STTA221	Pt100Ω	-20 ~ 80°C	±0.15°C (at 0°C)	3wire/ 1.0mm <sup>2</sup>	4mA
STTA222	Pt1000Ω	-20 ~ 80°C	±0.3°C (at 0°C)	2wire/ 1.0mm <sup>2</sup>	1.2mA

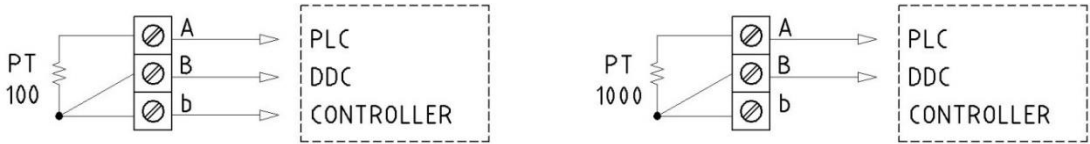
- TEMPERATURE SENSING ELEMENT : 4ea installed inside(1ea/1m space)
- SELF-HEATING : 2.5mW/°C
- SENSING TIME : 1min. at 2m/sec Velocity
- AMBIENT TEMPERATURE : -20 ~ +80°C
- AMBIENT HUMIDITY : below 95% Rh
- CABLE FITTING : PF 1/2"
- TEMPERATURE SENSING ELEMENT LENGHT : Basic 4m(length can be optional for order made)
- HOUSING PROTECTION CLASS : IP 65 (EN60529)
- HOUSING MATERIAL : PC
- WITH BRACKET : 3EA
- WEIGHT : 250g

### Mounting Guide

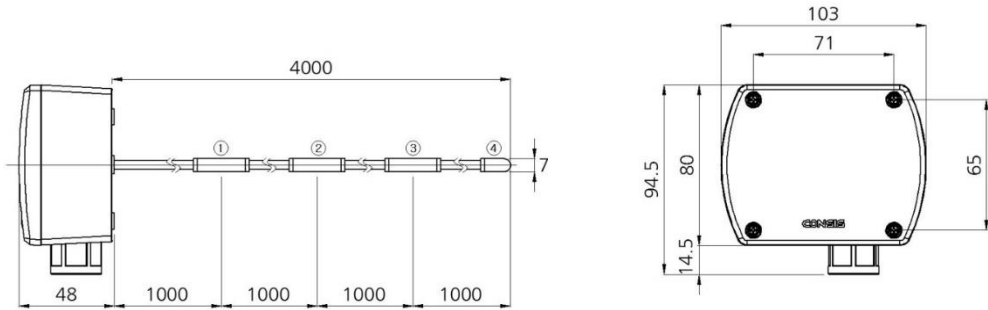
- In case of sensing inside temperature of duct
  - ▶ In case of sensing the temperature by inserting into duct, attach the body to higher position of side wall, and sensor should be fixed with bracket or 3 screw-down terminal by zigzag method to avoid touching to duct wall by putting inside of duct through the hole.

# AVERAGE TEMPERATURE SENSOR

## Wiring Diagram



## Shape Dimension



## Installation Method

