

STRAP-ON TEMPERATURE TRANSMITTER



STTS

STTS225

Application

Heating Ventilation and Cooling System(HVAC)Inside a pipe is a sensor for sensing the temperature of the flow water and the superheated temperature Pump motor

- ▶ Water temperature sensing pipe, overheating of the motor temperature detection

Technical Data

MODEL	ELEMENT	RANGE	ACCURACY	WIRE	SUITABLE
STTS225	4 - 20mA	-30 ~ 140°C	±0.3°C (at 20°C)	2wire/ 1.0mm ²	4,000

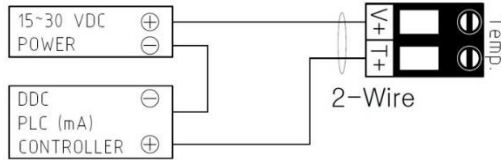
• SUPPLY VOLTAGE	: 15~30VDC
• POWER CONSUMPTION	: 40mA typical
• SENSING TIME	: App. 10sec
• SCOPE OF APPLICATION	: 15~430mm Selection
• SENSING ELEMENT	: Pt100Ω(classA, EN60751)
• USE CONNECT	: Controller or DDC, PLC System
• WIRING	: 2wire/1.0~1.5mm ² (AWG16)
• AMBIENT TEMPERATURE	: 1)On Operation : -25~+90°C 2)On Transportation & Storage : -10~+65°C
• AMBIENT HUMIDITY	: 5~95%Rh
• PROTECTION CLASS	: IP65 to EN60529
• HOUSING MATERIAL	: PC (Poly Carbonate)
• DIEMENSION	: 103mm X 80mm X 48mm
• WEIGHT	: 240g (band :05 include)

Application Range

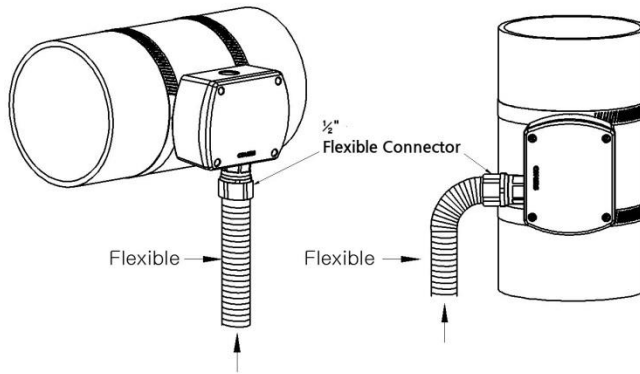
Band Model	Pipe Application (mm)	Band Size(Inch)	Band Model	Pipe Application (mm)	Band Size(Inch)
1	15	1 1/4"	7	150	7"
2	20~32	2"	8	180~205	10"
3	40~50	3"	9	230~280	12"
4	65~80	4"	10	305~430	15"
5	100	5"	11	380~430	18"
6	125	6"			

STRAP-ON TEMPERATURE TRANSMITTER

Wiring Diagram



Installation Method



Shape Dimension

